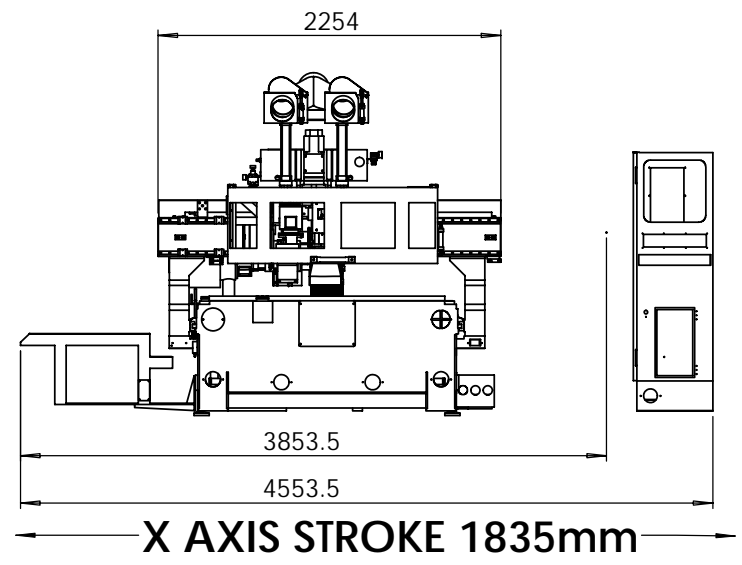
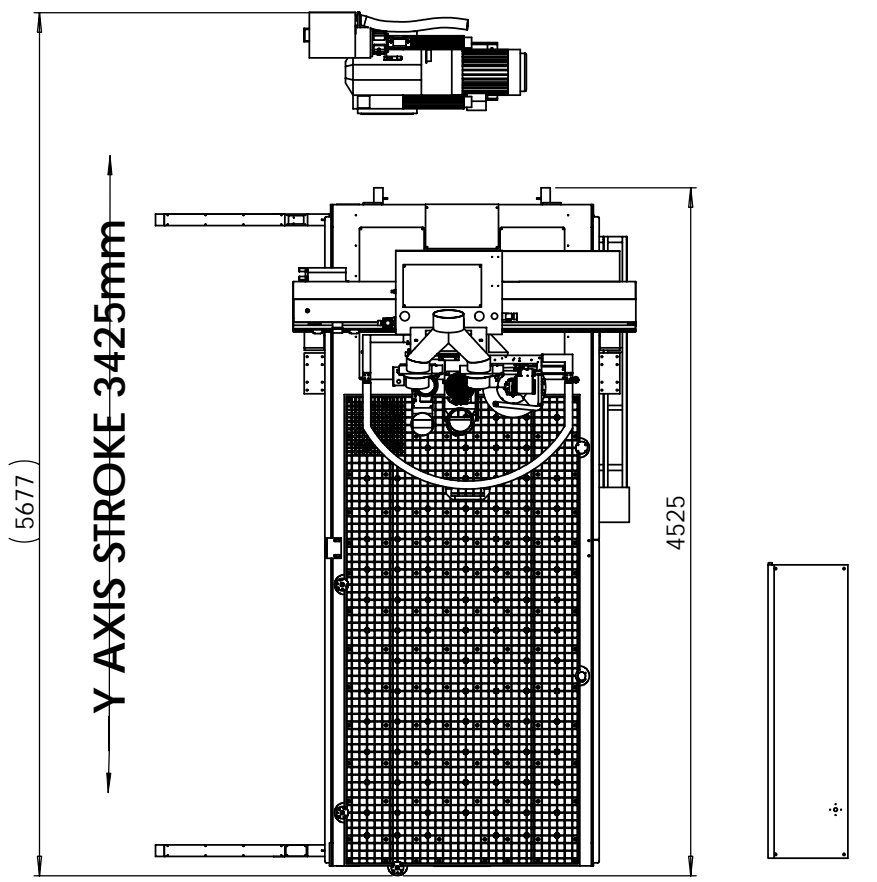
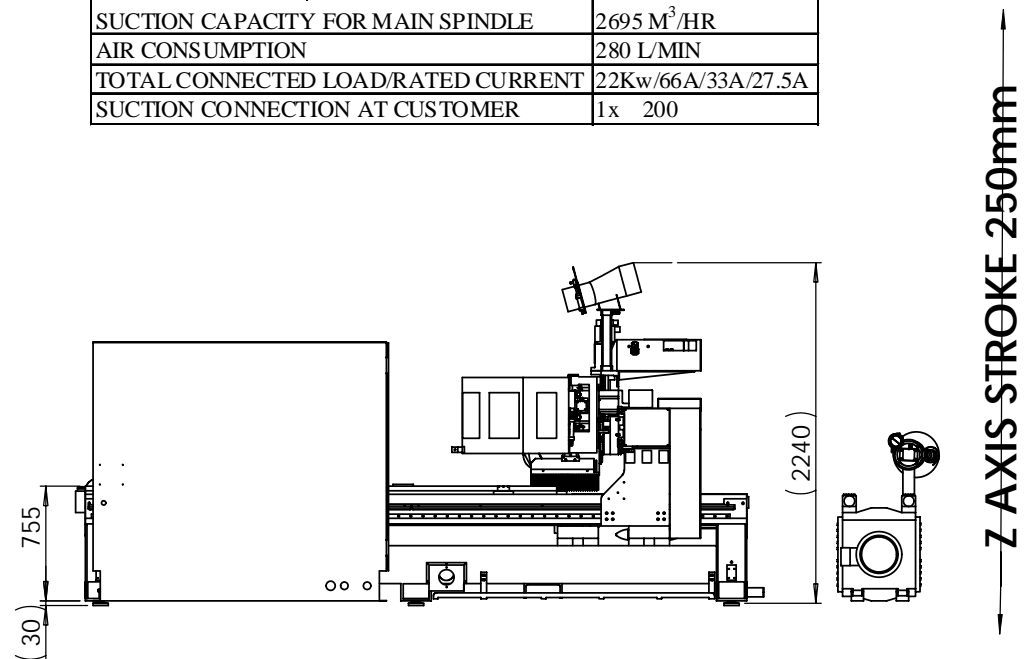


A
B
C
D
E
F



MODLE		ECO 510
STROKE	X AXIS	1835 mm
	Y AXIS	3425 mm
	Z AXIS	250 mm
TABLE SIZE		3100x1550x1
MAX.FEED SPEED	X Y AXIS	30 M/min
	Z AXIS	20 M/min
ATC HEAD WHIT	NO.1 OF SPINDLES	1
	TOOL HEADER SHANK	HSK63F ,AIR COOLEI
	NUMBER OF TOOLS	8
	ROTATION SPEED	1000~24000 RPM
BORING BLOCK	NO2. BLOCK(6x1)	4500RPM
TOOL DIA	FOR ROUTER BIT (O.D.)	MAX. 25mm
SHANK	FOR BORING	10mm
POWER	ATC HEAD	7.5 Kw x1(10HP)
	VACUUM PUMP	5.5 Kw x1(7.5HP)
	BORING	0.75Kw x1 (1HP)
AIR PRESSURE		6 KG/CM ²
NC CONTROLLER		ANDI-SYNTEC
DIMENSIONS	FLOOR AREA	6500x4600 mm
	HIGHT	2500 mm
	WEIGHT	4000 Kg
SUCTION CAPACITY FOR MAIN SPINDLE		2695 M ³ /HR
AIR CONSUMPTION		280 L/MIN
TOTAL CONNECTED LOAD/RATED CURRENT		22Kw/66A/33A/27.5A
SUCTION CONNECTION AT CUSTOMER		1x 200



圖頁1