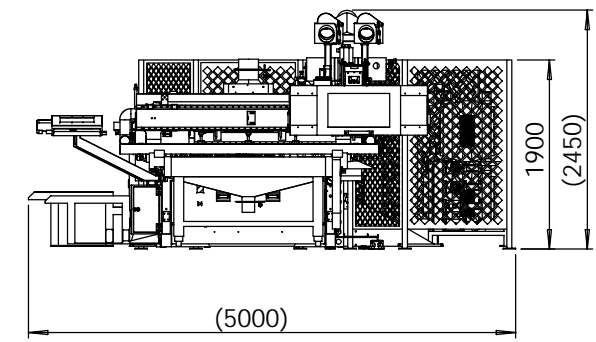
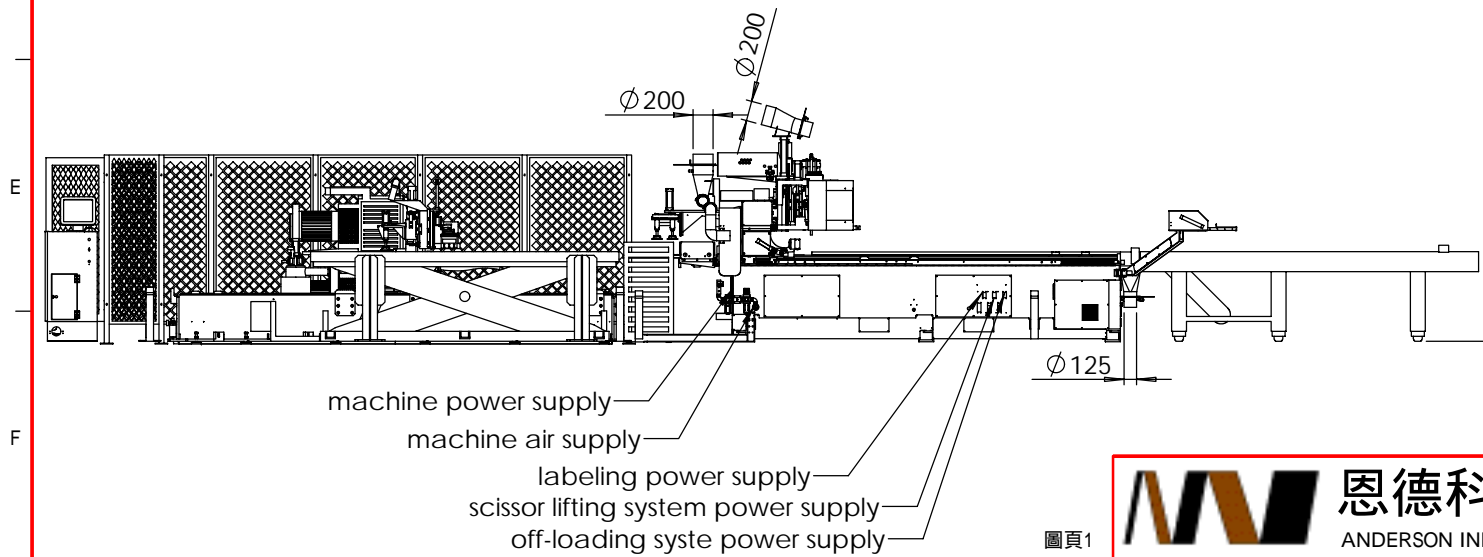


MODE		SELEXX/PAL
STROKE	Y AXIS	3180 mm (10.433ft)
	X AXIS	1835 mm (6.02ft)
	Z AXIS	250 mm (0.82ft)
TABLE SIZE		1550x3100mm (5.085x10.006ft)
MAX.FEED SPEED	Y /X AXIS	80/50 M/min (262.45/164ft/min)
	Z AXIS	20 M/min (65.62ft/min)
ATC HEAD WHIT	NO.1 OF SPINDLES	1
	TOOL HEADER SHANK	HSK63F ,AIR COOLED
	NUMBER OF TOOLS	8
	ROTATION SPEED	1000-24000 RPM
BORING BLOCK	NO2. BLOCK(5x5)	4800RPM
TOOL DIA	FOR ROUTER BIT (O.D.)	MAX. 25mm (Φ0.984inch)
	FOR BORING	10mm (Φ0.394inch)
POWER	ATC HEAD	7.5 Kw x1 (10HP)
	VACUUM PUMP	5.5 Kw x2 (7.5HPx2)
	BORING	1.5Kw x1 (2HP)
AIR PRESSURE		6 KG/CM2 (85lb/in <sup>2</sup> )
NC CONTROLLER		ANDI-FANUC
DIMENSIONS	FLOOR AREA	14500x5000 mm (47.57x16.43 ft)
	HIGHT	2450 mm (8.038 ft)
	WEIGHT	7500 Kg
SUCTION CAPACITY FOR MAIN SPINDLE		2695 M <sup>3</sup> /HR (9259cfm)
AIR CONSUMPTION		450 L/MIN (15.9cfm)
TOTAL CONNECTED LOAD/RATED CURRENT		25Kw/45A
SUCTION CONNECTION AT CUSTOMER		2x 200+ 1x ψ125



圖頁1