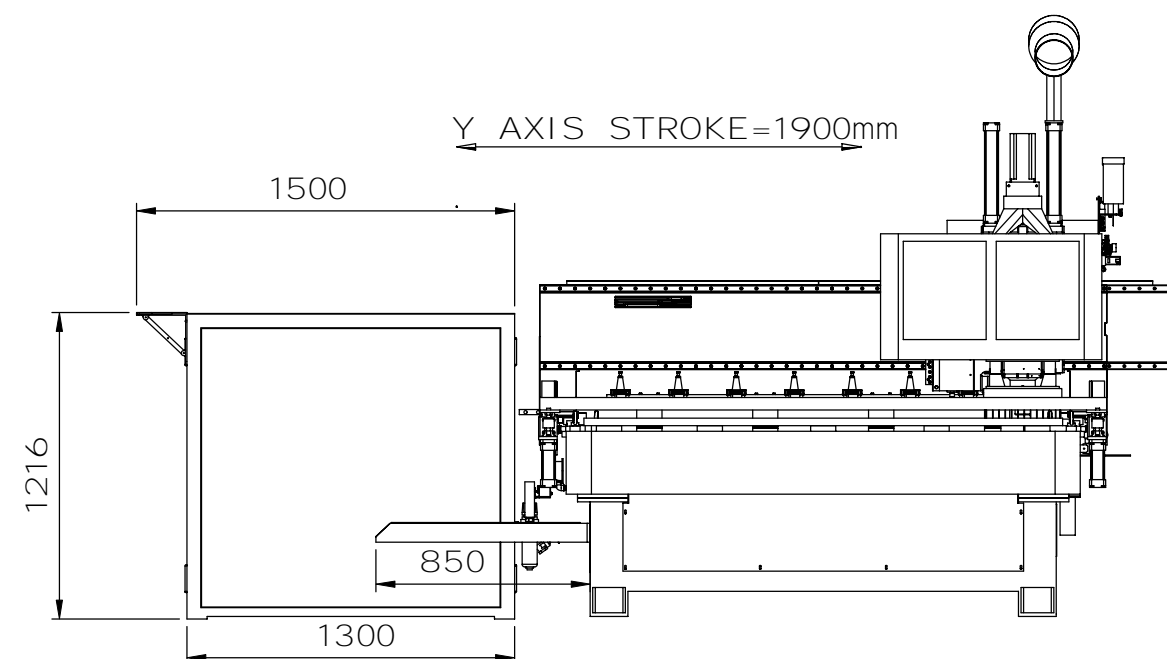


MODEL		SELEXX/BDT
STROKE	X AXIS	3,100mm
	Y AXIS	1,900mm
	Z AXIS	200mm
TABLE SIZE		3,100x1,600mm
VACUUM AREA		1
MAX. FEED SPEED	X AXES	50m/min
	Y AXES	50m/min
	Z AXIS	10m/min
NO.1 ATC HEAD	SPEED	1,000- 18,000r pm
	SPINDLE NOSE	SK30
	POWER	5.5KWx1
NO.2 MULTI-DRILL 6*1	DRILL ROTATION SPEED	4,800r pm
	SHANK OF DRILL	ø10 mm
	POWER	1.5KWx1
TOOLING	SHANK OF ROUTER BIT	MAX. ø25mm
TOTAL POWER		29KW/48A(415V)
AIR PRESSURE	HOSE:3/4"	6kg/cm <sup>2</sup> (85lb/in <sup>2</sup> )
	CONSUMPTION	330L/MIN (11CFM)
NC CONTROLER		Syntec
DIMENSIONS	FLOOR AREA	3,900x5,400mm
	HEIGHT	2,400mm
	WEIGHT	2,800kg



The diagram of the machine dimension